

# Laminate flooring

Installation  
& maintenance  
instructions  
**2-Lock / T-Lock**

## PRODUCT USAGE

- Tarkett Laminate flooring is not recommended for use in high humidity areas where the floor is usually wet (steam rooms, saunas)
- Tarkett Laminate can be used with **underfloor heating**



### INSTALLING LAMINATE FLOOR WITH UNDERFLOOR HEATING

#### Explanation and restrictions

Laminate flooring is suitable for installation on top of underfloor heating systems provided that the heating element is embedded into concrete or any other sub floor. Laminate flooring is not suitable for installation on top of underfloor heating foil installed on top of concrete or any other sub floor unless otherwise specified by the underfloor heating manufacturer. Surface temperature should never exceed 28°C.

#### Procedure

Installing laminate flooring on top of low temperature under-floor heating is possible provided that a specific heating procedure (in accordance to DIN 4725 & regardless of the season) is followed before the damp proofing layer is put in place: set the temperature of your heating device at 25°C & let it run for 3 days. Increase your heating in steps of 5°C up to its max. temperature. Let it run continuously for 72 hours. Decrease the temperature in steps of 10°C until reaching a floor surface temperature of 18°C. Before, during & at least 3 days after the installation of your flooring, the floor surface temperature should be maintained at 18°C. Do not forget to install a vapour barrier, we recommend our 0,2mm Tarkett PE-foil.

Please check with your dealer & the floor heating system producer.



## RECOMMENDED INSTALLATION ACCESSORIES

- 8 mm spacers (or installation springs)
- Foam underlay (We recommend our Tarkett Foam + our Tarkett PE-foil or our 3mm Tarkett Soundblock Foam with the integrated PE-foil)
- Skirtings, clipholders for skirtings and profiles for a perfect finish  
Please see our brochure or our website [www.tarkett.com](http://www.tarkett.com) for the full range of accessories.



Spacer



Clipholder



Tarkett PE-foil



Tarkett Foam



3in1 Tarkett Soundblock foam

## RECOMMENDED TOOLS

- Vacuum cleaner
- T-square
- Tape measure
- Saw - table saw (fine tooth carbide tipped blade)/miter saw/circular saw/jigsaw
- Safety glasses and safety gloves

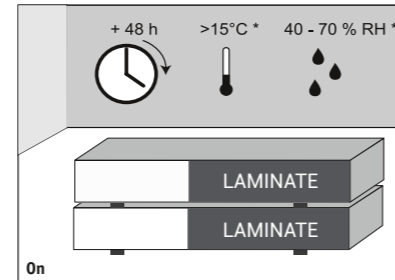


# GENERAL PREPARATION

## ACCLIMATION

**Tarkett Laminate Flooring must be allowed to acclimate to the temperature of the room in which it will be installed.**

- Place the unopened cartons of laminate lying horizontally for a minimum of 48 hours before installation in the room in which they will be installed
- Do not remove the plastic wrapping
- Room temperature shall be a minimum of 18°C (65°F)



## SUBFLOOR PREPARATION

**Tarkett Laminate Flooring may be installed over most types of subfloors and existing floors** on all grade levels.

The subfloor must be structurally sound and free from movement. The subfloor must be clean, dry, level and free of any defects:

- **Dry.** Measure humidity with adequate test instruments. Moisture content of cement screed/concrete must be < 2% CM (CM method) and of anhydrite cement floors (calcium sulphate screed) < 0.5% CM.
- **Level.** The subfloor must be leveled within 3 mm in 1 m -1/4" in 8 ft.- (DIN 18202) or 2 mm over 2 m. Smooth and level all irregularities with a hydraulic (portland) cement base patching and leveling compound.
- **Free of any defect.** Cross check old wood floors, nail/screw to eliminate squeaking. Brush or vacuum clean your floor before beginning installation.

### Concrete

- Concrete subfloors shall be properly cured and allowed to dry for a minimum of 90 days before installation

### Wood

- Suspended wood subfloors shall have a minimum of 45 cm (18") of well-ventilated air space clearance above the ground
- A vapour barrier shall not be installed over wooden floor/construction
- Moisture content of wood subfloor shall not exceed 12%

### Existing Sheet and Tile Flooring

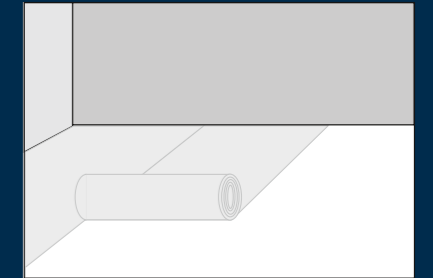
- Existing flooring must be fully adhered and in good condition
- Existing floor must be in a single layer
- Repair any damaged areas

### Carpeting

- Deep pile carpeting and padding must be removed before laying laminate flooring
- Tarkett® Laminate Flooring may be installed over industrial direct glue carpeting (no padding) that is installed over wood subfloors only
- Carpeting must be removed if installed over concrete
- The use of a foam underlay is not recommended over carpet

## IMPORTANT

A min. 0.2 mm vapour barrier PE foil shall be installed over all sub floors, except on wooden floor/construction. We recommend the use of the Tarkett Soundblock Foam which can reduce impact sound to 19 dB. Please check our catalogue or our website [www.tarkett.com](http://www.tarkett.com) for more information.



## ROOM PREPARATION

- Carefully remove existing wall skirtings and doorway transition profiles. If using quarter round skirtings, wall base skirtings do not have to be removed. Existing quarter round may be reused or replaced with matching quarter round. The skirting must be of sufficient size to cover the 8 mm (5/16") expansion area around the perimeter of the floor
- Leave at least 20 mm (0.79") between the surface of the flooring and the bottom of electric baseboard heaters to allow heat to circulate
- Undercut door jambs and door moldings to allow the flooring to fit underneath. Use a scrap piece of flooring and foam underlayer as a guide
- Sweep and/or vacuum subfloor to remove all dirt and debris.

# PREPARATION BEFORE INSTALLATION

### Product check

- Inspect all planks for visible defects and damage before and during installation.
- Do not install damaged planks or panels with visible defects.
- During installation, inspect the groove area for any debris that may prevent proper assembly of planks

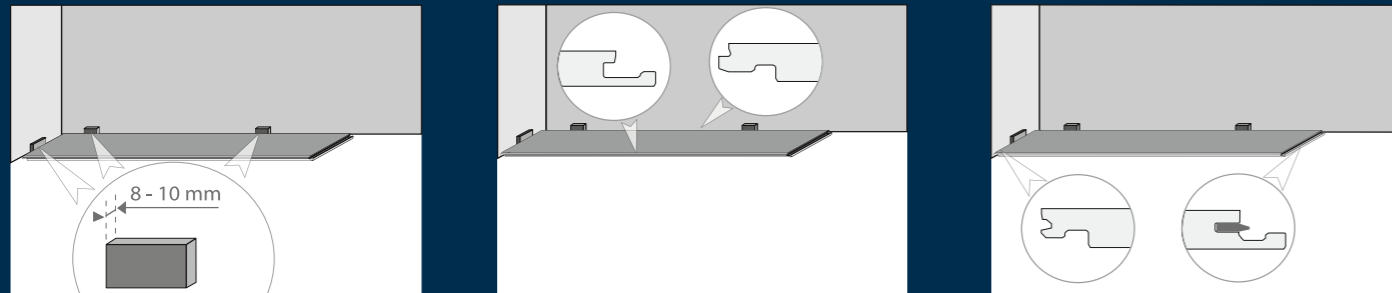
### Room check

- Determine in which direction the planks will be installed. To make the room appear larger or if installing in very small rooms or hallways, it is preferable to lay the planks parallel to the longest room dimension. Otherwise lay towards the main source of light
- It is recommended that cabinets be installed before installing planks. However, if planks are installed prior to installing cabinets, the cabinets must be fastened or secured to the supporting wall. Do not fasten cabinets through the laminate flooring.
- Carefully measure the room to determine squareness and also to determine the width of the last row of planks. If the width of the last row of planks is less than 50 mm, excluding the tongue, the width of first row of planks will have to be cut accordingly.

# INSTALLATION INSTRUCTIONS

## GENERAL INSTALLATION INSTRUCTIONS

- Begin laying planks on the left side of the starting wall and work to the right side. The tongue side of the plank shall face the starting wall.
- Place spacers (minimum 8 mm) between the short and long side of the planks and the wall.
- Press the short end of the next floorboard at an angle to the first one, then lay down. Complete the first row in the same manner. If the starting wall is irregular, scribe or trace the contour of the wall on the first row and cut.

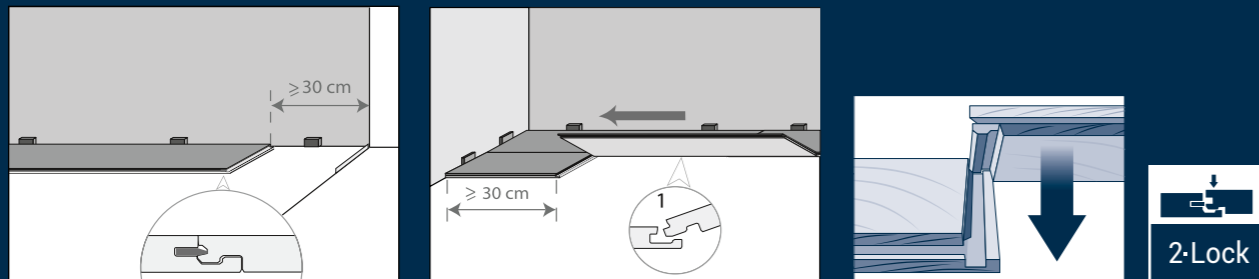


→ For T-Lock installation, see drawings 1, 2 and 3, page 10



Please visit our website to see our video demo

- The first and last plank in each row must be at least 30 cm in length. The last plank of the row will have to be cut, but if the remaining is less than 30 cm, the first plank in the row will have to be also cut to allow for a longer plank at the end of the row. If the remainder of the last plank is over 30cm, it will serve as the first plank of the next row. Also make sure that the planks are staggered with minimum 30cm between the short sides from one row to the next.

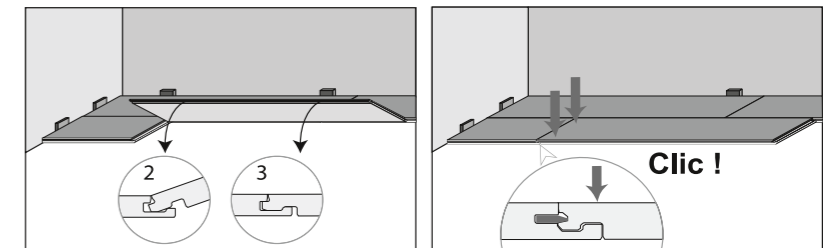


→ For T-Lock installation, see drawings 4 and 5, page 10

- Determine the width of the last row of planks by measuring the distance wall to wall allowing the 8 mm expansion gap on both sides. If it is less than 50 mm, excluding the tongue, the width of the first row of planks will have to be cut accordingly.
- When cutting planks, make sure that the teeth of the saw blade are cutting into the decorative surface. Best results are achieved when using a carbide tipped cutting blade.
- If the surface is larger or longer than 10m, use transition profiles to reduce the length of the rows and allow for natural expansion. Please, use transition profiles in doorways.

## INSTALLATION STEP-BY-STEP

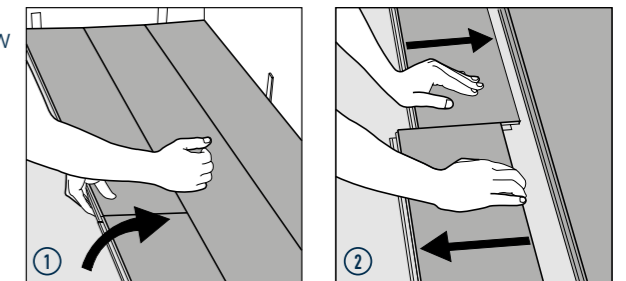
- ① **Before installing the first row**, the part of the groove profile which sticks out must be cut off.
- ② **First row.** Start in a left-hand corner with the groove side against the wall and work towards the right. Press spacers between the floor and the wall to create an expansion gap of 8-10 mm.
- ③ **Second plank, first row.** Place it gently and tight to the short end of the first one. Fold the panel down in a single action movement. During the fold down, make sure the panels are tight against each other. Afterwards press or slightly knock at the short end just installed.
- ④ **At the end of the row**, turn the last board so that it lies tongue to tongue. Push the short end tightly against the wall. Mark where to cut with a pencil 8-10 mm from the previous board's short end to allow for an expansion gap when the board is tapped into place.
- ⑤ **First plank, second row.** Start with the rest of the cut board from the first row. Ensure that all the short end joints are staggered from the short end joints of the other row by at least 30 cm.
  - For T-Lock installation, see drawings 6 and 7, page 10
- ⑥ **Second plank, second row.** Place the panel gently and tight to the short end of the previous panel. Fold the panel down in a single action movement with a slight press to the short end of the previous panel. During the fold down, make sure the panels are tight against each other.
- ⑦ **Final row.** When you get to the final row, it is possible that the boards will not fit width wise. In this case, place a board with the tongue facing the wall, on top of and edge to edge with the last board. Place a spare board on top, and use it as guide for marking the boards of the final row that will be sawn accordingly. Remember to allow for the expansion gap. If the final row of boards does not need to be cut, the tongue must be sawn off in order to allow for the expansion gap.



## SPECIFIC INSTRUCTIONS

- **In areas where it is difficult to angle the planks into position**, such as around door moldings, it is necessary to remove the lip on the groove edge of the planks of the last row installed. This is done by lightly sanding or planing off the lip. This will allow you to install the plank by laying it flat. Apply a thin bead of Tarkett D3 glue on top of the modified tongue and push the plank of the first row into position. Immediately wipe off any excess glue with a damp cloth

- **If you wish or need to remove the flooring**, separate the whole row by carefully lifting up and slightly knocking just above the joint. Fold up and release the whole long side ①. Disassemble the panels by sliding horizontally (Do not fold up) ②.



- **If the long side of the board meets a pipe:** Drill a hole with a diameter min. 16 mm greater than the pipe diameter to give an expansion gap around the pipe. Mark with a pencil where to saw. Saw off the bit which will fit behind the pipes, closest to the wall. Cut at an angle as shown in the picture. If the pipes are located along the short side of the floor, cut the board at a 90° angle straight through the holes.

# AFTER INSTALLATION

## FINISH

- Remove the spacers from the perimeter of the room.
- Install transition reduction profiles where needed. Do not fasten them through the laminate flooring.
- Install skirtings. Make sure they are of sufficient size to cover the 8mm expansion gap.
- At all times, the recommended room relative humidity (RH) of 45-60% and temperature of 18-24°C should be kept. If necessary install a humidifier/dehumidifier to ensure the best climate for yourself, furniture and your floor.

## MAINTENANCE

### Easy to own

The melamine top layer prevents the proliferation of germs and bacteria. The hard sealed surface is stain resistant and the tight locking system prevents dust and dirt from entering the seams.



- Clean regularly with a vacuum cleaner or dry mop. If needed, you can damp-mop your floor.
- Every two weeks use a cleaning solution suited to laminates, rinse the mop thoroughly, and dry-mop the floor when finished.



- Remove spots and stains immediately. Rub the stain with a clean, dry mop moistened with a dedicated cleaning agent. Never spray the cleaning agent directly onto the floor.
- Repair dents and scratches with the Tarkett repair kit.

## STAINS

Remove stains, spots, etc. as they occur. Rub the stain with a clean, dry mop moistened with a dedicated cleaning agent.

Never spray any cleaning agent directly onto the floor. When using a solvent or concentrated cleaning solution, read the safety advice carefully!

Stain	RUBBER, PLASTIC, HEEL MARKS	BLOOD, URINE	NAIL VARNISH, SHOE POLISH, PAINT, INK, LIPSTICK	FRUIT, MILK, BEER	CANDLE WAX, CHEWING-GUM
Solution	Rub the mark with a dry cloth. Use acetone if needed. Once dry, brush it off with a white nylon pad.	Wipe the stain with a slightly damp cloth. If dry, rub it down with a dry nylon pad.	Remove with a cloth soaked in acetone, nail-tar varnish solvent, paint thinner or vinegar essence.	Remove with an absorbent dry cloth. If dry, wipe down with a dedicated cleaning solution (ideally Tarkett Bioclean), then wipe dry.	Once hardened, these should be removed with a blunt plastic scraper.

### ① Bio clean

Economical and effective general purpose cleaner. gentle on the skin. Biodegradable. Free from organic solvents, colouring agents and phosphates. Code: 8792120

### ② Repair kit

A complete kit for repairing dents or scratches, in the unlikely event this should happen! Code: 8264000



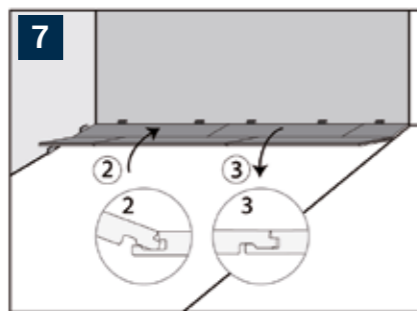
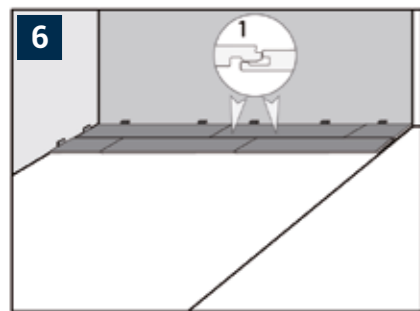
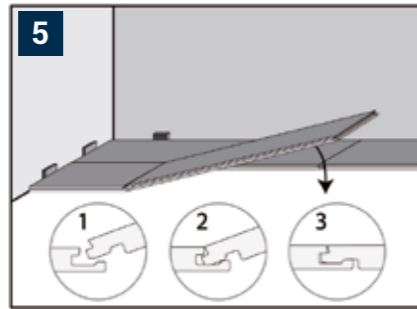
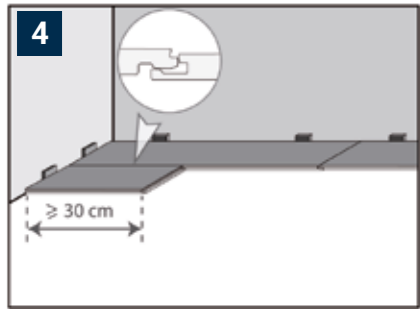
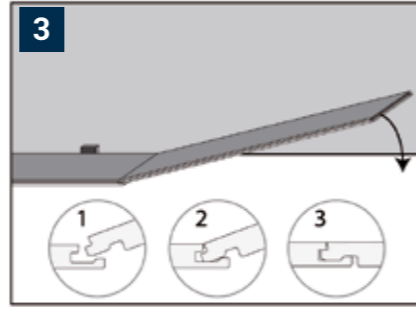
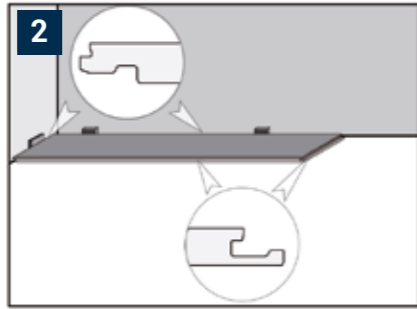
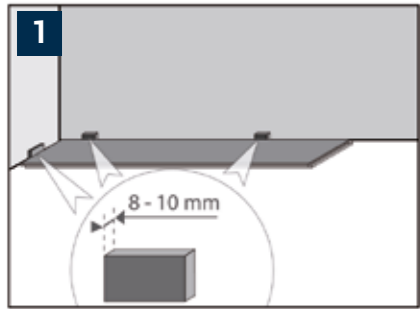
### Prevention always helps!

Place door-mats and foot brushes at all exterior doorway entrances. Fix felt protectors under furniture legs.

### Disposal? Recycling?

You can dispose of your laminate flooring in normal household waste, or disposal waste for large quantities. Laminate flooring can be reused or recycled as an energy source.

# T-LOCK INSTALLATION SCHEMES



■ **WESTERN EUROPE:** Austria: Tarkett Holding GmbH, Niederlassung Wien – Tel. +43 1 47 88 062 ■ **Belgium:** Tarkett Belux Sprl – Tel. +32 16 35 98 80 ■ **Denmark:** Tarkett A/S – Tel. +45 43 90 60 11 ■ **Finland:** Tarkett Oy – Tel. +358 9 4257 9000 ■ **France:** Tarkett SAS – Tel. +33 1 41 20 42 49 ■ **Germany:** Tarkett Holding GmbH, Bereich Objekt – Tel. +49 62 33 810 ■ **Greece:** Tarkett Monoprosopi Ltd – Tel. +30 210 6745 340 ■ **Italy:** Tarkett S.p.A. – Tel. +39 0744 7551 ■ **Luxembourg:** Tarkett GDL SA – Tel. +352 949 211 8804 ■ **Netherlands:** Tarkett Holding GmbH, Vestiging Nederland – Tel. +31 416 685 491 ■ **Norway:** Tarkett AS – Tel. +47 32 20 92 00 ■ **Portugal:** Tarkett SA – Tel. +351 21 427 64 20 ■ **Spain:** Tarkett Floors S.L. – Tel. +34 91 358 00 35 ■ **Sweden:** Tarkett Sverige AB – Tel. +46 771 25 19 00 ■ **Switzerland:** Tarkett Holding GmbH, Bereich Objekt Schweiz – Tel. +41 043 233 79 24 ■ **Turkey:** Tarkett Aspen – Tel. +90 212 213 65 80 ■ **United Kingdom:** Tarkett Ltd – Tel. +44 (0) 1622 854 040 ■ **EASTERN EUROPE:** Baltic Countries: Tarkett Baltics: Tel. +370 37 262 220 ■ **Czech Republic:** Tarkett org. složka – Tel. +420 271 001 600 ■ **Hungary:** Tarkett Polska SP Z.O.O. magyarországi fióktelepe – Tel. +36 1 437 8150 ■ **Poland:** Tarkett Polska Sp. z o.o. – Tel. +48 22 16 09 231 ■ **Russian Federation:** ZAO Tarkett RUS - Tel. +7 495 775 3737 ■ **Slovakia:** Tarkett Polska, organizačná zložka – Tel. +421 2 48291 317 ■ **South East Europe:** Tarkett SEE – Tel. +381 21 7557 649 (44) 569 12 21 ■ **Ukraine:** Tarkett UA – Tel. +38 (0) 44 569 12 21 ■ **ASIA AND OCEANIA:** Australia: Tarkett Australia Pty Ltd – Tel. +61 2 88 53 12 00 ■ **China:** Tarkett Floor Covering (Shanghai) Co. Ltd. – Tel. +86 (21) 60 95 68 38 ext 841 ■ **North East Asia:** Tarkett Hong Kong Limited – Tel. +852 2511 8716 ■ **India:** Tarkett France (India Branch) – Tel. +91 11 4352 4073 ■ **South East Asia:** Tarkett Flooring Singapore Pte. Ltd. – Tel. +65 6346 1585 ■ **AFRICA:** Tarkett International: Tel. +33 1 41 20 41 01 ■ **MIDDLE EAST:** Tarkett Middle East: Tel. +961 1 51 3363/4 ■ **Israel:** Tarkett International: Tel. +33 1 41 20 41 01 ■ **NORTH AMERICA:** USA: Tarkett Inc. – Tel. +1 713 859 5811 / Johnsonite – Tel. +1 440 543 8916 ■ **Canada:** Tarkett Inc. – Tel. +1 450 293 173 ■ **LATIN AMERICA:** Brazil: Tarkett - Tel. 55 12 3954 7108 ■ **Argentina - Chile - Uruguay:** Tarkett Latam Mercosur - Tel. +54 11 47 08 07 72 / +54 9 11 44 46 88 82 ■ **Bolivia - Colombia - Ecuador - Panama - Paraguay - Peru - Trinidad and Tobago - Venezuela:** Tarkett - Tel. +55 11 9 8410 9310 / +55 11 95494 0069 ■ **Mexico/Central America:** Tarkett Latam Mexico - Tel. +55 11 98410 9310

10-2018

Due to evolution of standards, characteristics indicated in the text and images in this document are not binding only after confirmation by our departments.  
 Design: Agence Gecko

