

LUXURY  
VINYL  
TILES

# INSPIRATION LOOSE-LAY

FLOOR  
IS THE NEW  
PLAYGROUND



THE ULTIMATE  
FLOORING EXPERIENCE



## iD INSPIRATION LOOSE-LAY

Take a look at iD Inspiration Loose-lay collection with its unique herringbone anti-skid technology that provides stronger plank adherence and stability than other modular vinyl solutions. It also lets you mix and match from a wealth of great designs.

Limed Oak / Beige - Grey - Brown



Limed Oak / Beige - Grey - Brown

# iD INSPIRATION LOOSE-LAY

iD Inspiration Loose-lay is up to three times faster to install than other modular vinyl solutions (1), making it ideal for small or occupied surfaces, or environments requiring fast installation. It even makes overnight renovation possible. It requires no or little subfloor preparation, as it absorbs uneven patches, and no glue (2) for installation. iD Inspiration Loose-lay's anti-skid backing is unique. Its patented herringbone design and pattern ensures strong plank adherence and stability.

## A UNIQUE LAYING TECHNOLOGY FOR FAST AND COST-SAVING INSTALLATIONS

- 2.5 times higher adherence than its competitors (3).
- Totally dimensionally stable, and as durable and reliable as a glue-down flooring.
- Easily removable with no damage to the product or the subfloor.

## A WIDE SELECTION OF EXCLUSIVE AND ULTRA-REALISTIC DESIGNS

- 22 refined designs in plank (19 wood essences) and tile (3 stone patterns) formats.
- Coordinated with Tarkett accessories: skirtings, transitions and profiles.

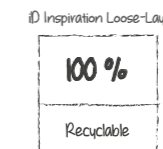
## GREAT RESISTANCE AND LOW MAINTENANCE

- Hygienic surface treated with the Tarkett unique TopClean XP coating that strengthens it, extends the life-cycle and simplifies cleaning and maintenance.

## A SUSTAINABLE SOLUTION



Contributes to improved indoor air quality with total VOC emissions at least 10 times lower than Europe's strictest standards.



100% recyclable.



Phthalate-free technology based on alternative plasticizers.



Made in Europe to benefit from our best-in-class industrial expertise.

(1) and (3) Estimation based on Tarkett's internal tests

(2) No acrylic adhesive needed, only a tackifier for very large areas. Please refer to installation instructions.

# iD INSPIRATION LOOSE-LAY

**Beach Wood**



**Mountain Oak**



**Christmas Pine**



**Delicate Wood**



**Sawn Oak**



**Elegant Oak**



**Limed Oak**

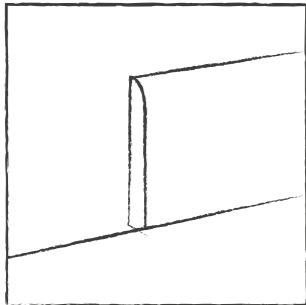


**Béton**



# ACCESSORIES

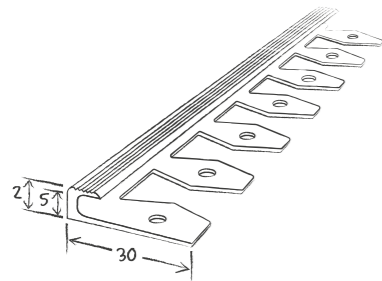
## SKIRTING



### PVC DECORATIVE SKIRTING

Compact skirting with decorative film and PUR surface treatment to perfectly match all designs  
📦 2.02 lm skirting in packs x 10

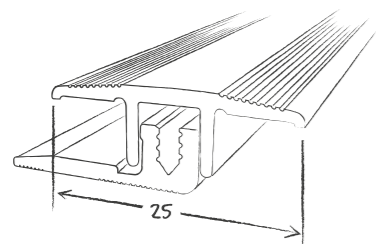
## PROFILE



### BENDABLE PROFILE

Aluminium stop profile, to be screwed

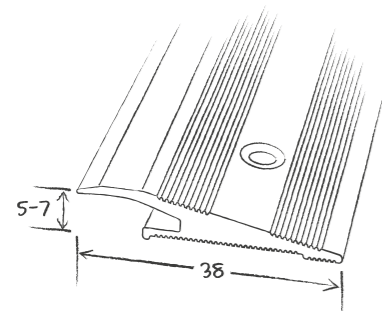
- Silver 1456 011
  - Stainless Steel 1456 012
- 📦 10 units of 2.5 lm



### TRANSITION STRIP

Very high traffic aluminium transition strip, to be screwed

- Silver 1451 011
  - Stainless Steel 1451 012
- 📦 10 units of 2.7 lm



### RAMP PROFILE

Very heavy traffic aluminium profile, to be screwed

- Silver 1454 011
  - Stainless Steel 1454 012
- 📦 10 units of 2.7 lm



Beach Wood / Beige - Grey

## TECHNICAL DATA iD INSPIRATION LOOSE-LAY

Certification & classification	Standards	iD Inspiration Loose-Lay
Type of floor covering	EN ISO 10582	Compact resilient floor covering
CE certification	EN 14041	Yes
Classification	EN ISO 10874 (EN 685)	Commercial: 33 Industrial: 42
<b>Technical characteristics</b>		
Total thickness	EN ISO 24346	4,5 mm
Wear layer thickness	EN ISO 24340	0,55 mm
Total weight	EN ISO 23997	7500 g/m <sup>2</sup>
Wear layer binder content	EN ISO 10582	Type I
Dimensions	EN ISO 24342 (EN 427)	22.9 x 121.9 cm 10 planks/box (= 2.79 m <sup>2</sup> - 20.9 kg) 52 boxes/pallet (= 145.08 m <sup>2</sup> m <sup>2</sup> - 1088.1 kg) 30.5 x 61 cm 14 tiles/box (= 2.6 m <sup>2</sup> - 19.5 kg) 54 boxes/pallet (= 140.4 m <sup>2</sup> - 1053 kg)
Surface treatment (PUR)		Yes
Beveled edges		No
<b>Technical performances</b>		
Dimensional stability	EN ISO 23999	≤ 0,10 %
Reaction to fire	EN 13501-1	B <sub>n</sub> -s1
Residual indentation	EN ISO 24343-1	≤ 0,10 mm
Furniture leg	EN 424	No damage
Castor chair	ISO 4918 - EN 425	No damage
Impact sound reduction	EN ISO 717-2	8 dB
Thermal resistance	ISO 10456	0,04 m <sup>2</sup> K/W
Light fastness	EN ISO 105-B02	≥ 6
Slip resistance	DIN 51130 EN 13893	μ ≥ 0.30 DS R9
Electrical properties	EN 1815 EN 1081	ca. 10 <sup>11</sup> Ω
Resistance to chemicals	EN ISO 26987	High resistance

The above information is subject to modification for the benefit of further improvement. (01/17).

Tarkett's instructions regarding installation, cleaning and maintenance should be observed. Please contact Tarkett at the address shown for these instructions.

CUSTOMS TARIFF : 4820 5000 00

## PRODUCTS & ACCESSORIES DETAILS

DESIGN	COLOUR	22.9 x 121.9 cm	61 x 30.5 cm	LRV	SKIRTING
Beach Wood	Beige	24640009		35,6%	26640 753
	Grey	24640010		35,7%	26640 754
Béton	White		24641000	63,1%	26640 740
	Black		24641001	4,9%	26640 741
	Grey		24641002	17,5%	26640 739
Christmas Pine	White	24640006		53,1%	26640 746
	Natural	24640007		20,7%	26640 745
Delicate Wood	Brown	24640008		15,7%	26640 744
	White	24640011		50,4%	26640 758
Elegant Oak	Grege	24640012		23,3%	26640 760
	Black	24640013		7,0%	26640 759
Limed Oak	Beige	24640014		31,5%	26640 743
	Natural	24640015		24,3%	26640 742
Mountain Oak	Beige	24640000		48,9%	26640 750
	Grey	24640001		24,3%	26640 751
	Brown	24640002		6,5%	26640 752
Sawn Oak	Natural	24640003		21,6%	26640 749
	Brown	24640004		15,6%	26640 748
Sawn Oak	Black	24640005		5,3%	26640 747
	Grey	24640016		18,0%	26640 755
	Brown	24640017		17,1%	26640 756
	Dark Brown	24640018		9,9%	26640 757

iD Inspiration  
Loose-Lay



According to Classification ISO 10874



# FLOOR IS THE NEW PLAYGROUND

[flooristhewnewplayground.tarkett.com](http://flooristhewnewplayground.tarkett.com)

■ **WESTERN EUROPE:** Austria: Tarkett Holding GmbH, Niederlassung Wien – Tel. +43 1 47 88 062 ■ Belgium: Tarkett France Belux – Tel. +32 16 35 98 80 ■ Denmark: Tarkett A/S – Tel. +45 43 90 60 11 ■ Finland: Tarkett Oy – Tel. +358 9 4257 9000 ■ France: Tarkett SAS – Tel. +33 1 41 20 42 49 ■ Germany: Tarkett Holding GmbH, Bereich Objekt – Tel. +49 62 33 810 ■ Greece: Tarkett Monoprosopi Ltd – Tel. +30 210 6745 340 ■ Italy: Tarkett S.p.A. – Tel. +39 0744 7551 ■ Luxembourg: Tarkett GDL SA – Tel. +352 949 211 8804 ■ Netherlands: Tarkett Holding GmbH, Vestiging Nederland – Tel. +31 416 685 491 ■ Norway: Tarkett AS – Tel. +47 32 20 92 00 ■ Portugal: Tarkett SA – Tel. +351 21 427 64 20 ■ Spain: Tarkett Floors S.L – Tel. +34 91 358 00 35 ■ Sweden: Tarkett Sverige AB – Tel. +46 771 25 19 00 ■ Switzerland: Tarkett Holding GmbH, Bereich Objekt Schweiz – Tel. +41 043 233 79 24 ■ Turkey: Tarkett Aspen – Tel. +90 212 213 65 80 ■ United Kingdom: Tarkett Ltd – Tel. +44 (0) 1622 854 040 ■ **EASTERN EUROPE:** Baltic Countries: Tarkett Baltics: Tel. +370 37 262 220 ■ Czech Republic: Tarkett France SAS, org. slozka – Tel. +420-271 001 602 ■ Hungary: Tarkett France SAS – Tel. +36 1 437 8150 ■ Poland: Tarkett Polska Sp. z o.o. – Tel. +48 22 16 09 231 ■ Russian Federation: ZA0 Tarkett RUS – Tel. +7 495 775 3737 ■ Slovakia: Tarkett France SAS, org.zlozka – Tel. +421 248 291 317 ■ South East Europe: Tarkett Trade d.o.o. – Tel. +381 21 7557 649 (44) 569 12 21 ■ Ukraine: Tarkett UA – Tel. +38 (0) 44 569 12 21 ■ **ASIA AND OCEANIA:** Australia: Tarkett Australia Pty Ltd – Tel. +61 2 88 53 12 00 ■ China: Tarkett Floor Covering (Shanghai) Co. Ltd. – Tel. +86 (21) 60 95 68 38 ext 841 ■ North East Asia: Tarkett Hong Kong Limited – Tel. +852 2511 8716 ■ India: Tarkett France (India Branch) – Tel. +91 11 4352 4073 ■ South East Asia: Tarkett Flooring Singapore Pte. Ltd. – Tel. +65 6346 1585 ■ **AFRICA:** Tarkett International: Tel. +33 1 41 20 41 01 ■ **MIDDLE EAST:** Tarkett Middle East: Tel. +961 1 51 3363/4 ■ Israel: Tarkett International: Tel. +33 1 41 20 41 01 ■ **NORTH AMERICA:** USA: Tarkett Inc. – Tel. +1 713 869 5811 / Johnsonite – Tel. +1 440 543 8916 ■ Canada: Tarkett Inc. – Tel. +1 450 293 173 ■ **LATIN AMERICA:** Brazil: Tarkett – Tel. 55 12 3954 7108 ■ Argentina - Chile - Uruguay: Tarkett Latam Mercosur – Tel. +54 11 47 08 07 72 / +54 9 11 44 46 88 82 ■ Bolivia - Colombia - Ecuador - Panama - Paraguay - Peru - Trinidad and Tobago - Venezuela: Tarkett – Tel. +55 11 98410 9310 / +55 11 95494 0069 ■ Mexico / Central America: Tarkett Latam Mexico – Tel. +55 11 98410 9310



[www.tarkett.com](http://www.tarkett.com)